



Premier Manufacturer of Sanitary Fittings, Valves, Pumps, & More

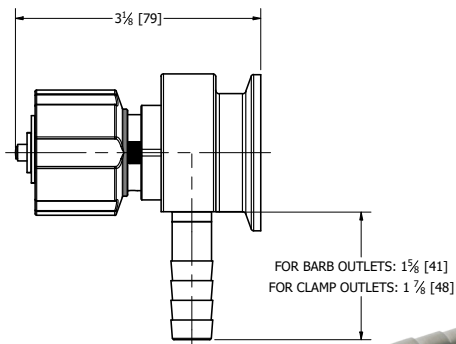
SVN & EVN TYPE SAMPLE VALVE

Steel & O'Brien SVN and EVN type sample valves are specifically designed to be the optimum product sampling solution in the industry. With superior engineering and quality, SVN and EVN sample valves offer exclusive performance benefits not found in other alternatives. SVN and EVN sample valves were developed with pharmaceutical and sanitary standards in mind, which is reflected in design aspects such as drainability and product contact geometries.

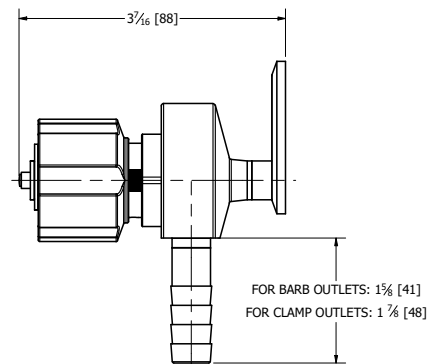
Right-angle concentric (SVN) models are available in 1/2" – 4" sanitary clamp inlet sizes and right-angle eccentric (EVN) models are available in 1" – 4" sanitary clamp inlet sizes. Both valve types offer a variety of outlet connections. Fully autoclaveable without disassembly.

TECHNICAL INFORMATION

- **Product Contact Surfaces**
Body: 316L Stainless Steel
Stem: FDA/USP Class VI Certified Kynar® PVDF
O-Ring: FDA/USP Class VI Certified EPDM or FKM
- **Non Product Contact Surfaces**
Knob: ULTEM® Polytherimide/PEI
Indicator: High temp yellow PVC
Upper Stem: Alloy 218 non-galling stainless steel
Bearing Washer: Virgin PTFE
Hardware/Other Misc. Parts: Stainless Steel
- **Finish Specifications**
Internal surface finishes per ASME BPE
SF1: 20Ra maximum
SF5: 20Ra maximum with Electropolish
SF4: 15Ra maximum with Electropolish
External surface finish: 32Ra maximum
- **Service Conditions**
Maximum operating temperature: 300°F
Maximum operating pressure: 250 PSIG
Maximum SWP: 50 PSIG @ 298°F
- **Documentation**
Material test reports (MTR) for 316L product contact surfaces
Certificate of compliance for FDA/USP Class VI PVDF stem
Certificate of compliance for FDA/USP Class VI FKM O-Ring
Certificate of compliance for FDA/USP Class VI EPDM O-Ring
Internal surface finish certification
Electropolish certification
Passivation certification



SVN



EVN

Simplifying Sanitary Through Superior Service™

7869 Route 98, Arcade, New York 14009
Tel: (585) 492-5800
sales@steelobrien.com



Part Numbers and Ordering Information

SVN Part Number Matrix

Type	Stem Material	O-Ring Material	Inlet Connection	Outlet Connection	ID Surface Finish
SVN - RIGHT ANGLE CONCENTRIC	Y - PVDF	E - EPDM	50 - 1/2" TC	A - 1/4" HB	SF1 - 20Ra
			75 - 3/4" TC		
			10 - 1" TC	B - 3/8" HB	
			15 - 1-1/2" TC		
		V - FKM	20 - 2" TC	C - 1/2" HB	SF5 - 20Ra W/ EP
			25 - 2-1/2" TC		
			30 - 3" TC	D - 1/2" TC	
			40 - 4" TC		

EVN Part Number Matrix

Type	Stem Material	O-Ring Material	Inlet Connection	Outlet Connection	ID Surface Finish
EVN - RIGHT ANGLE ECCENTRIC	Y - PVDF	E - EPDM	10 - 1" TC	A - 1/4" HB	SF1 - 20Ra
			15 - 1-1/2" TC	B - 3/8" HB	
			20 - 2" TC	C - 1/2" HB	
		V - FKM	25 - 2-1/2" TC	D - 1/2" TC	SF4 - 15Ra W/ EP
			30 - 3" TC		
			40 - 4" TC		

Part Number Example

EVNYV15ASF1 – Right angle eccentric sample valve, PVDF stem, FKM seal, 1-1/2" TC inlet, 1/4" hose barb outlet, 20Ra internal surface finish.

*Kynar® is a registered trademark of Arkema
ULTEM® is a registered trademark of SABIC Global*

Simplifying Sanitary Through Superior Service™

7869 Route 98, Arcade, New York 14009
Tel: (585) 492-5800
sales@steelobrien.com

© Steel & O'Brien Mfg. Inc.
Form No.009 4/23

