



Premium Manufacturer of Sanitary Fittings,  
Valves, Pumps, & More

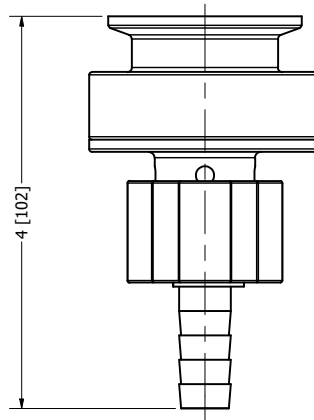
## INN TYPE SAMPLE VALVE

Steel & O'Brien INN type sample valves are specifically designed to be the optimum product sampling solution in the industry. With superior engineering and quality, INN sample valves offer exclusive performance benefits, not found in other alternatives. INN sample valves have been developed with pharmaceutical and sanitary standards in mind, which is reflected in design aspects such as drainability and product contact geometries.

Inline (INN) models are available in ½" – 4" sanitary clamp inlet sizes and offer a variety of hose barb outlet sizes. Fully autoclaveable without disassembly.

### TECHNICAL INFORMATION

- **Product Contact Surfaces**  
Body: 316L Stainless Steel  
Stem: FDA/USP Class VI Certified Tecapeek® (PEEK)  
O-Ring: FDA/USP Class VI EPDM or FKM
- **Non Product Contact Surfaces**  
Knob: ULTEM® Polytherimide/PEI  
Indicator: High temp yellow PVC  
Hardware/Other Misc. Parts: Stainless Steel
- **Finish Specifications**  
Internal surface finishes per ASME BPE  
SF1: 20Ra maximum  
SF5: 20Ra maximum with Electropolish  
SF4: 15Ra maximum with Electropolish  
External surface finish: 32Ra maximum
- **Service Conditions**  
Maximum operating temperature: 300°F  
Maximum operating pressure: 250 PSIG  
Maximum SWP: 50 PSIG @ 298°F
- **Documentation**  
Material test reports (MTR) for 316L product contact surfaces  
Certificate of compliance for FDA/USP Class VI PEEK stem  
Certificate of compliance for FDA/USP Class VI FKM O-Ring  
Certificate of compliance for FDA/USP Class VI EPDM O-Ring  
Internal surface finish certification  
Electropolish certification  
Passivation certification



INN

Simplifying Sanitary Through Superior Service™

7869 Route 98, Arcade, New York 14009  
Tel: (585) 492-5800  
sales@steelobrien.com



# Part Numbers and Ordering Information

## INN Part Number Matrix

Type	Stem Material	O-Ring Material	Inlet Connection	Outlet Connection	ID Surface Finish
INN - INLINE	K - PEEK	E - EPDM	50 - 1/2" TC	A - 1/4" HB	SF1 - 20Ra
			75 - 3/4" TC	B - 3/8" HB	SF4 - 15Ra W/ EP
			10 - 1" TC	C - 1/2" HB	SF5 - 20Ra W/ EP
			15 - 1-1/2" TC		
		V - FKM	20 - 2" TC		
			25 - 2-1/2" TC		
			30 - 3" TC		
			40 - 4" TC		

## Part Number Example

**INNKV15ASF1** – Inline sample valve, PEEK stem, FKM seal, 1-1/2" TC inlet, 1/4" hose barb outlet, 20Ra internal surface finish.

*Tecapeek® is a registered trademark of Ensinger*  
*ULTEM® is a registered trademark of SABIC Global*

Simplifying Sanitary Through Superior Service™

7869 Route 98, Arcade, New York 14009  
 Tel: (585) 492-5800  
 sales@steelobrien.com

© Steel & O'Brien Mfg. Inc.  
 Form No.010 4/23

