



Premium Manufacturer of Sanitary Fittings,
Valves, Pumps, & More

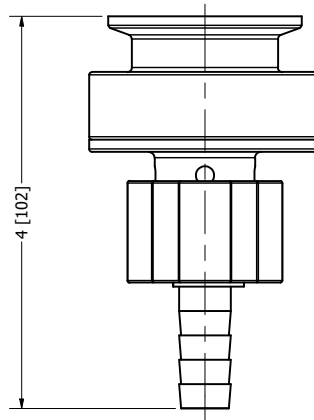
INN TYPE SAMPLE VALVE

Steel & O'Brien INN type sample valves are specifically designed to be the optimum product sampling solution in the industry. With superior engineering and quality, INN sample valves offer exclusive performance benefits, not found in other alternatives. INN sample valves have been developed with pharmaceutical and sanitary standards in mind, which is reflected in design aspects such as drainability and product contact geometries.

Inline (INN) models are available in ½" – 4" sanitary clamp inlet sizes and offer a variety of hose barb outlet sizes.

TECHNICAL INFORMATION

- **Product Contact Surfaces**
Body: 316L Stainless Steel
Stem: FDA/USP Class VI Certified Tecapeek® (PEEK)
O-Ring: FDA/USP Class VI EPDM or FKM
- **Non Product Contact Surfaces**
Knob: ULTEM® Polytherimide/PEI
Indicator: High temp yellow PVC
Hardware/Other Misc. Parts: Stainless Steel
- **Finish Specifications**
Internal surface finishes per ASME BPE
SF1: 20Ra maximum
SF5: 20Ra maximum with Electropolish
SF4: 15Ra maximum with Electropolish
External surface finish: 32Ra maximum
- **Service Conditions**
Maximum operating temperature: 300°F
Maximum operating pressure: 250 PSIG
Maximum SWP: 50 PSIG @ 298°F
- **Documentation**
Material test reports (MTR) for 316L product contact surfaces
Certificate of compliance for FDA/USP Class VI PEEK stem
Certificate of compliance for FDA/USP Class VI FKM O-Ring
Certificate of compliance for FDA/USP Class VI EPDM O-Ring
Internal surface finish certification
Electropolish certification
Passivation certification



INN

Simplifying Sanitary Through Superior Service™

7869 Route 98, Arcade, New York 14009
Tel: (585) 492-5800
sales@sob.us



Part Numbers and Ordering Information

INN Part Number Matrix

Type	Stem Material	O-Ring Material	Inlet Connection	Outlet Connection	ID Surface Finish
INN - INLINE	K - PEEK	E - EPDM	50 - 1/2" TC	A - 1/4" HB	SF1 - 20Ra
			75 - 3/4" TC	B - 3/8" HB	SF4 - 15Ra W/ EP
			10 - 1" TC	C - 1/2" HB	SF5 - 20Ra W/ EP
			15 - 1-1/2" TC		
		V - FKM	20 - 2" TC		
			25 - 2-1/2" TC		
			30 - 3" TC		
			40 - 4" TC		

Part Number Example

INNKV15ASF1 – Inline sample valve, PEEK stem, FKM seal, 1-1/2" TC inlet, 1/4" hose barb outlet, 20Ra internal surface finish.

Tecapeek® is a registered trademark of Ensinger
ULTEM® is a registered trademark of SABIC Global

Simplifying Sanitary Through Superior Service™

7869 Route 98, Arcade, New York 14009
 Tel: (585) 492-5800
 sales@sob.us

© Steel & O'Brien Mfg. Inc.
 Form No.010 4/23

